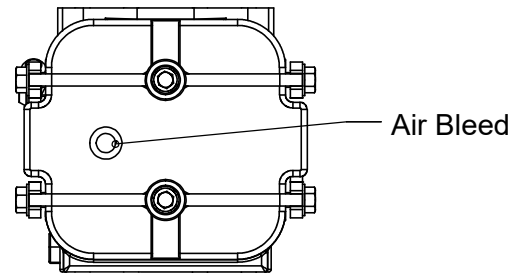
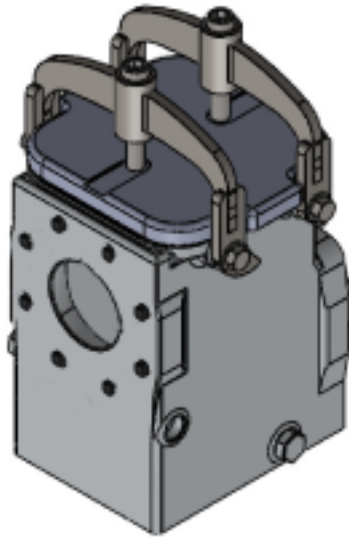
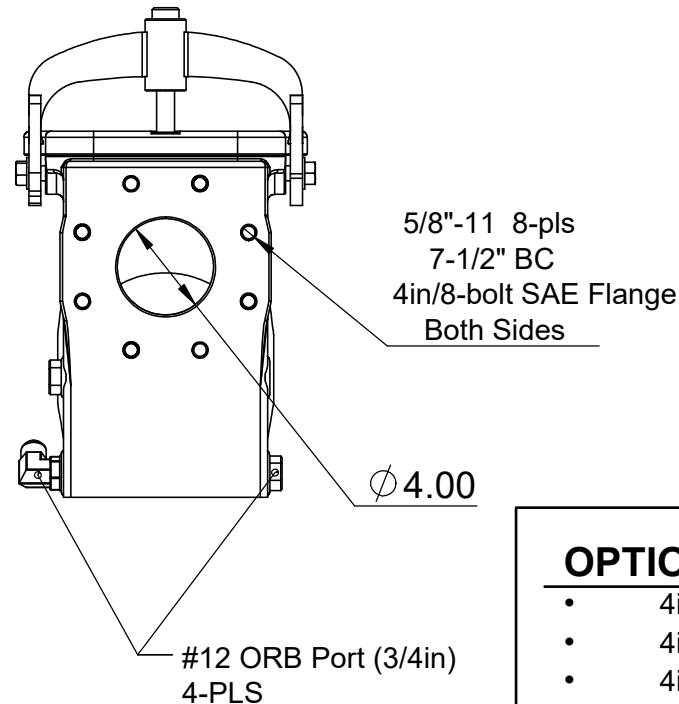
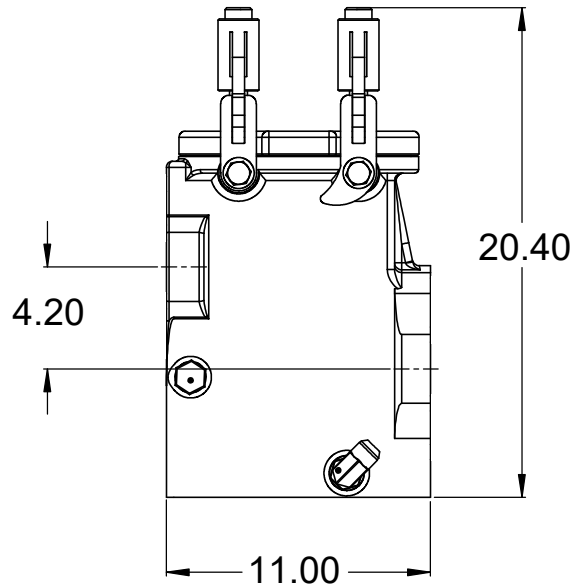


SCREEN BOX



CHOOSE A SCREEN OPTION

- .120 Round Mesh
- .450 Square Mesh (*recommended for rubber and polymer-modified asphalts*)



OPTIONAL PORT ADAPTERS

- 4in/8-bolt SAE X 2½"/4-bolt SAE
- 4in/8-bolt SAE X 3¾-bolt SAE
- 4in/8-bolt SAE X 2½" Pipe Weldment
- 4in/8-bolt SAE X 3" Pipe Weldment
- 4in/8-bolt SAE X 4" Pipe Weldment
- 4in/8-bolt SAE X 4in/8-bolt SAE (coupler)